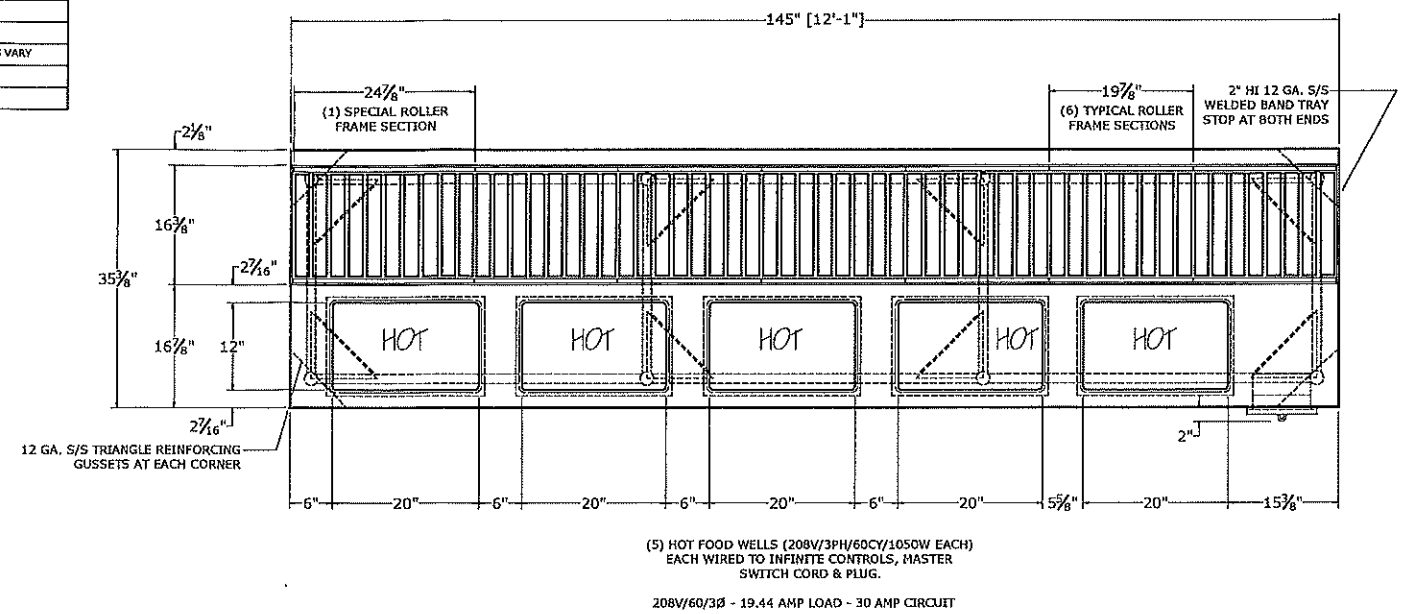
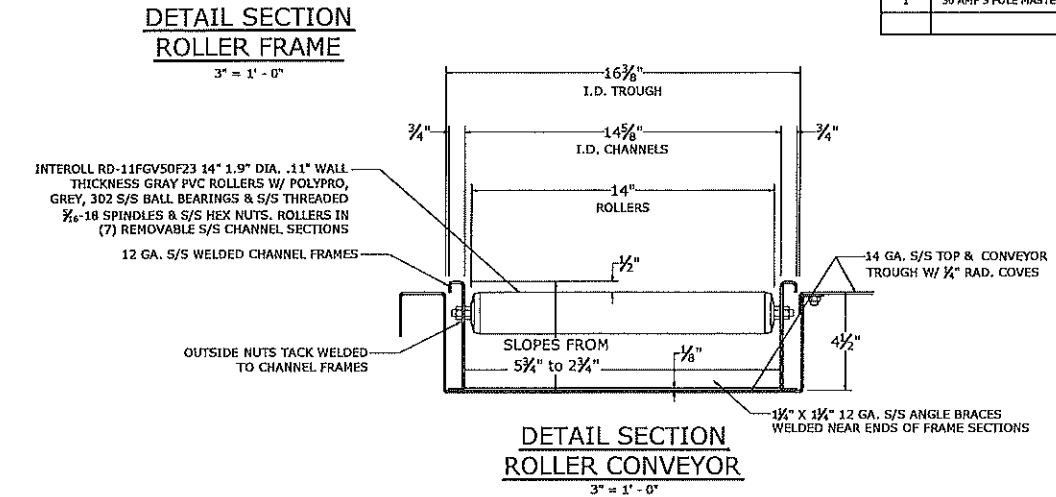
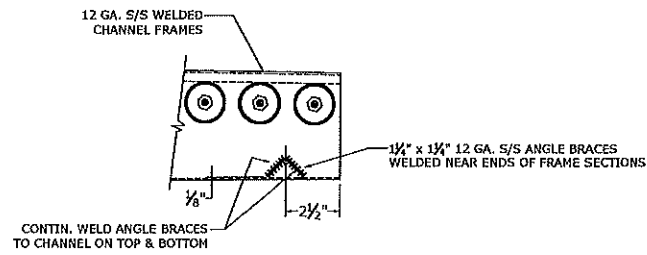


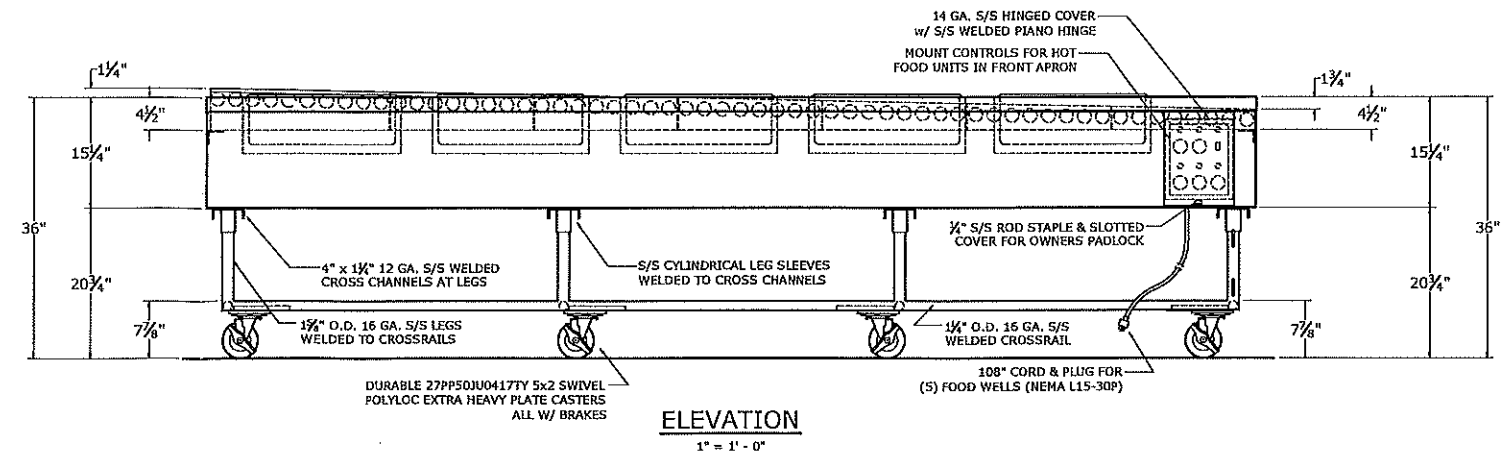
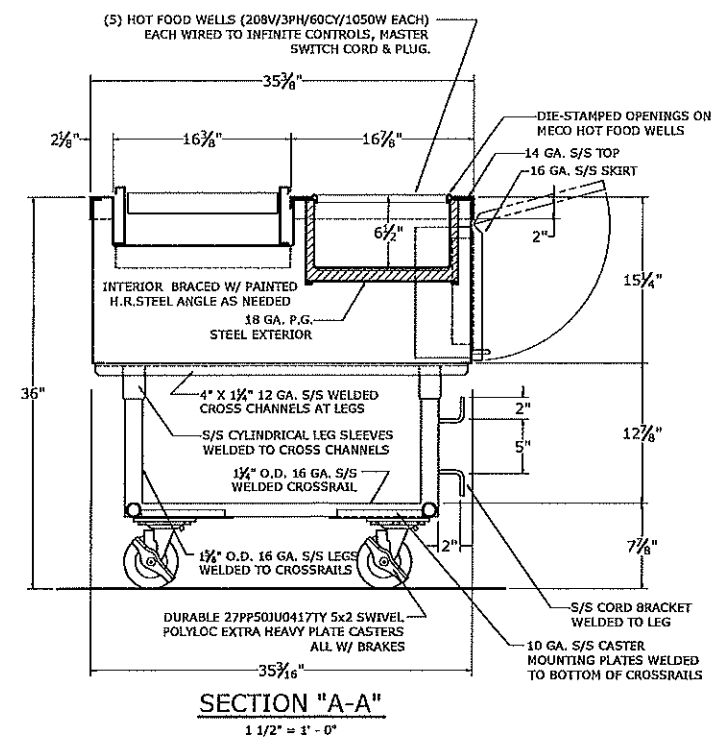
FOR PARTS REORDER REFERENCE S.O. 57219

QUAN.	DESCRIPTION
8	DURABLE 27PP50J0417TY 5x2 SWIVEL POLYLOC EXTRA HEAVY PLATE CASTERS ALL W/ BRAKES
1	108" CORD W/ NEMA L15-30P PLUG 30A 250V 3 POLE W/ STRAIN RELIEF W/ LOCKNUT & 10 GA. 4-WIRE GROUNDING CORD
10	STRIP HEATERS 1300W EACH [1050V @ 208V]
5	INFINITE CONTROL SWITCHES 230V RATING
6	PILOT LIGHTS 230V RATING
5	H-48 HOT FOOD WELLS
7	REMOVABLE ROLLER SECTIONS, HEIGHTS & LENGTHS VARY
1	30 AMP 3 POLE MASTER SWITCH



ITEM 1 - SLIM LINE TRAY ASSEMBLY CONVEYOR
ONE (1) REQ'D. ----- S.O. 57219

REF. 3546L 52240 3487L 51357 3176L 4781B



WELDING NOTE
CROSSRAILS FULLY WELDED. WELD OVER LEG SEAM. WELDS NOT GROUND SMOOTH FOR STRENGTH. REMOVE WELD DISCOLORATION ONLY.

NSF/ANSI 2 NOTE: THIS UNIT HAS ALTERED NSF CERTIFIED HINGES DESIGNED WITH SECURITY SPECIFICATIONS. THIS UNIT IS INTENDED FOR USE ONLY IN ENVIRONMENTS WHERE SECURITY IS A CONCERN.



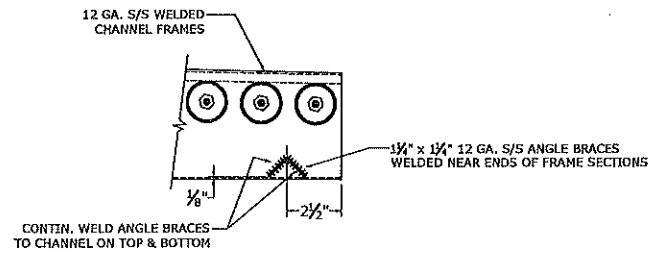
By accepting this document Recipient agrees that neither this document nor the information disclosed herein nor any part thereof shall be reproduced or transferred to other documents or used or disclosed to others for manufacturing or for other purpose except as specifically authorized in writing by Missouri Equipment Company.
WEBSITE: www.mec2222.com
2222 NORTH 9TH ST., ST. LOUIS, MO 63102-1412 PHONE: (314) 621-0144 E-MAIL: meco2222@bbjglobal.net

BY	DATE	REVISIONS	ATTN.: TERI TECLAW
LJM	6-18-2020	VERIFIED ELECTRICAL SPECS.	PROJECT
			DEALER

COOK'S DIRECT, INC.

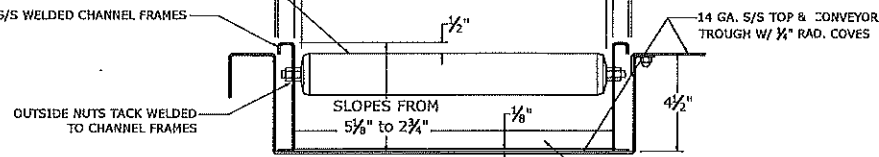
DRAWN BY	LARRY MARTIN
DATE	6-17-2020
CHECKED BY	
SCALE	AS NOTED
ESTIMATOR	GUS SWACKER

Arch D 24 x 36 in
P.O. NO. W239872
SHEET 1 OF 1
DRAWING NO. 4075L

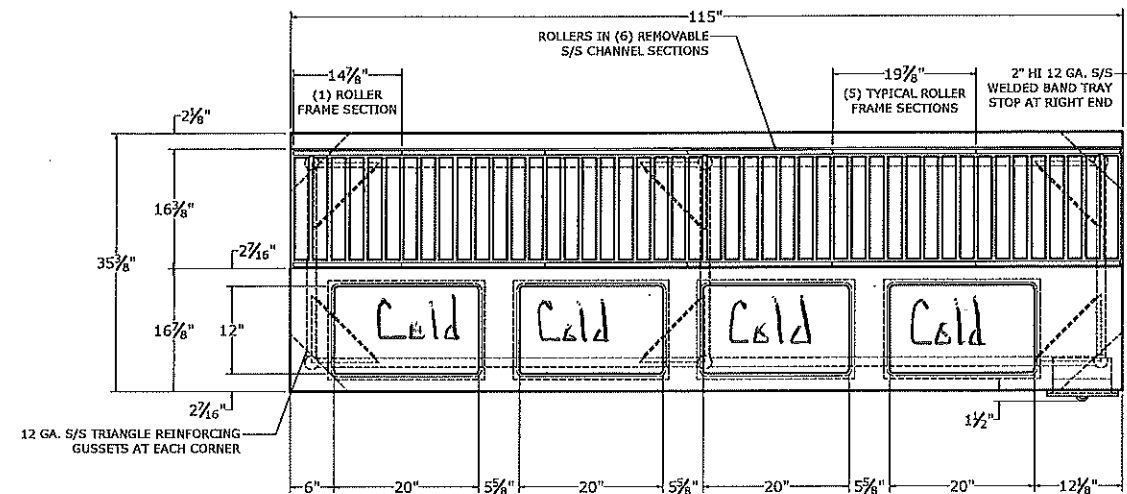


**DETAIL SECTION
ROLLER FRAME**
3" = 1' - 0"

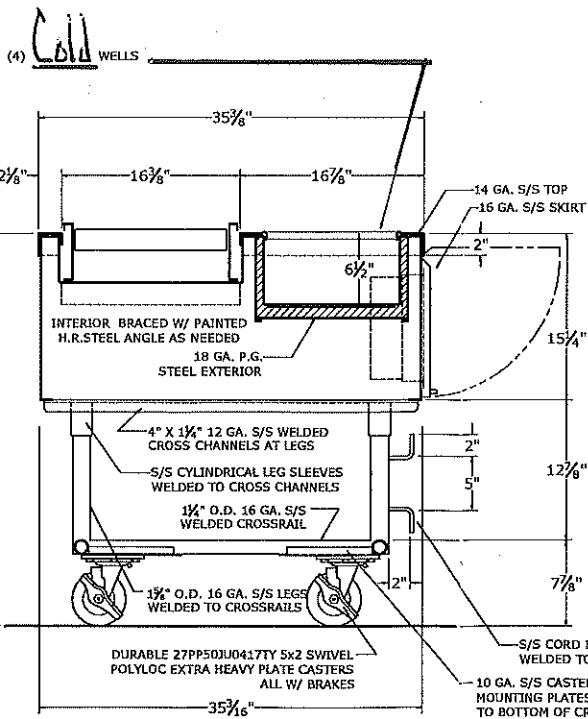
INTERROLL RD-11FGV50F23 14" 1.9" DIA. .11" WALL THICKNESS GRAY PVC ROLLERS W/ POLYPRO, GREY, 302 S/S BALL BEARINGS & S/S THREADED 3/8"-18 SPINDLES & S/S HEX NUTS. ROLLERS IN (6) REMOVABLE S/S CHANNEL SECTIONS



**DETAIL SECTION
ROLLER CONVEYOR**
3" = 1' - 0"



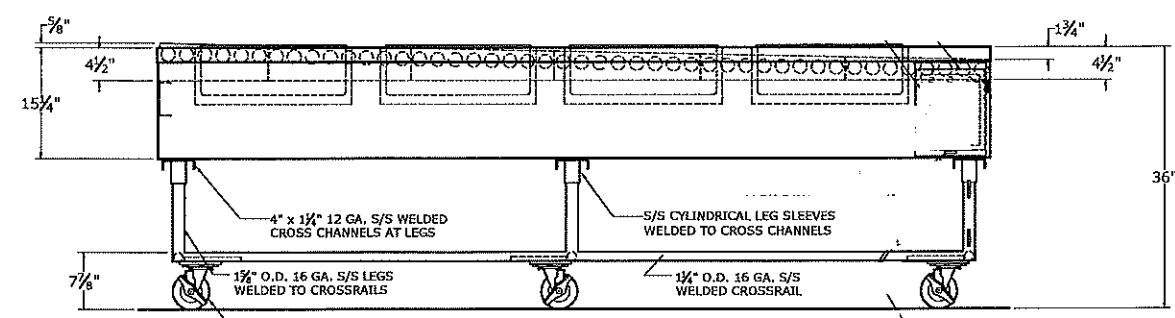
PLAN
1" = 1' - 0"



SECTION "A-A"
1 1/2" = 1' - 0"

ITEM 1 - SLIM LINE TRAY ASSEMBLY CONVEYOR
----- S.O. 51357

REF. S 2555L 41772 1813L 34911 2342L 39531



ELEVATION
1" = 1' - 0"

WELDING NOTE!
CROSSRAILS FULLY WELDED, WELD OVER LEG SEAM. WELDS NOT GROUND SMOOTH FOR STRENGTH. REMOVE WELD DISCOLORATION ONLY.

Tom Calime
**at work* Gus
NSF/ANSI 2 NOTE: THIS UNIT HAS ALTERED NSF CERTIFIED HINGES DESIGNED WITH SECURITY SPECIFICATIONS. THIS UNIT IS INTENDED FOR USE ONLY IN ENVIRONMENTS WHERE SECURITY IS A CONCERN.



<p>2222 NORTH 9TH ST. ST. LOUIS, MO 63102-1412 PHONE (314) 621-0144 FAX (314) 621-4170 WWW.MEC22222.COM</p>	BY	DATE	REVISIONS	ATTN.: JOHN YAEGER	DRAWN BY LARRY MARTIN	P.O. NO. W208964
				PROJECT	CHECKED BY	SHEET 1 OF 1
				DEALER	SCALE AS NOTED	DRAWING NO. 3487L
				COOK'S DIRECT, INC.	ESTIMATOR GUS SWACKER	

2-4-22

Arch D 24 x 36 in